

DC/DC Converter Series PCW5500 max. 15000W Water Cooled



front view

Figure incl. additional options



rear view

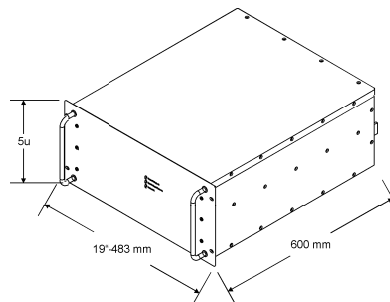
160 – 320 VDC ²⁾	VDC- input voltage ranges			output Amps	output VDC ¹⁾		OVP VDC
	320 – 380 VDC	320 – 640 VDC	450 – 800 VDC		min.	max.	
PCW5574	PCW5584Z	PCW5574G	PCW5574K	350	23	26	30
PCW5575	PCW5585Z	PCW5575G	PCW5575K	350	26	30	35
PCW5576	PCW5586Z	PCW5576G	PCW5576K	220	58	68	70
PCW5577	PCW5587Z	PCW5577G	PCW5577K	116	100	130	140
PCW5578	PCW5588Z	PCW5578G	PCW5578K	60	200	250	280
PCW5579	PCW5589Z	PCW5579G	PCW5579K	273	45	55	60

1) Adjustable range

2) on request

Features

output	adjustment over voltage protection OVP	trimmer behind front panel 110-130% U_{nom}
	overload	constant current limit
	adjustment current limit	trimmer behind front panel 80-110% I_{nom}
	sense lines	existing
	adjustment voltage	trimmer behind front panel
	function control	green LED on front panel
	alarm indication turn off at U_{out} reset of alarm	red LED on front panel over voltage >5s push button on front panel
input	turn off at U_{in}	fixed <95% U_{min} >105% U_{max}
safety	turn off at high temperature	automatic return



PCW5500

Construction 19" Subrack 84TE, 5u high, app. 600mm depth + Terminals app. 80mm (depending on type)

Connections terminals on the rear side

Weight app. 58,0kg