

## PW3300CM / BPW3300CM

The units PW3300CM and BPW3300CM are made for a wide input voltage range. In the input a RFI filter is implemented to reduce the reactive noise on the input leads. The rectification and the polarity protection are done by the rectifier bridge GL1. An inrush current limitation is achieved with the NTC1, which is bridged with a relay after the voltage has been applied. Depending on the input voltage, the boost circuit (L1, Q1, GL2, C<sub>boost</sub>) generated an intermediate circuit voltage for feeding the Power bridge (Q2, Q3, Q4, Q5). This is a full bridge configuration and the PWM regulation is done by phase shifting. Through the transformer, the power is transfer to the secondary side, rectified by GL3 and smooth with C<sub>out</sub>. This also ensures galvanic isolation.

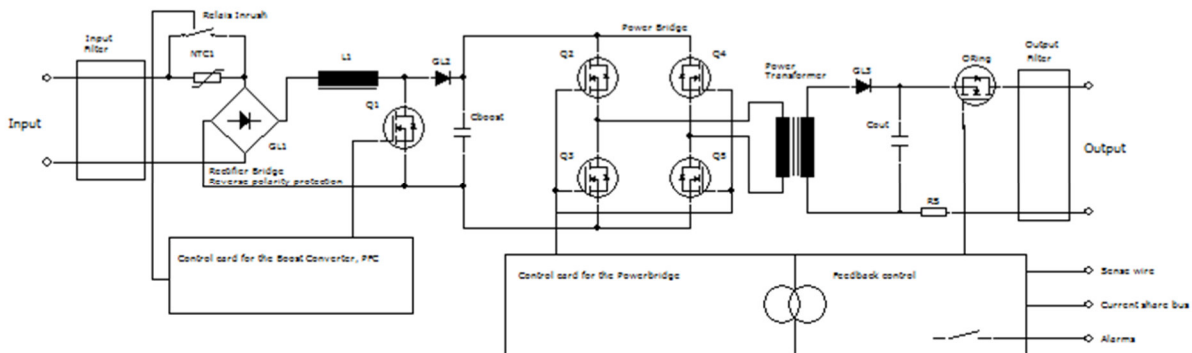
The output filter reduces the RFI and ripple voltage on the output.

The output current is recorded via R<sub>s</sub> and the current limit is initiated in the event of an overload and is based on the IU characteristic.

The ORing FET serves for polarity protection, in parallel and redundant operation.

The alarm message is a collective message related to the output voltage and is available through potential-free relay contacts.

**Available Options:** Sense Lines, Active Current Sharing.



Block diagram